

# Putzmeister BOOM PUMP ADVANTAGE



## Better Boom Design

Lighter and more resilient, Putzmeister's "smart design" boom incorporates welding seams below the edge of maximum stress. The boom is engineered to offer the flexibility to adapt to different loads and features more straight pipe for a less stressful concrete flow and longer wear on parts. The Multi-Z configuration handles space restrictive areas and can pump even if the boom is not fully extended.



## Rack and Pinion Slewing

The 36Z-Meter boom features a simple mechanical rack and pinion design for improved weight distribution and easy serviceability. Putting the pump closer to the cab, rack and pinion slewing offers greater reach than rotation bearings on lighter weight models. Specially designed teeth in the system offer smooth rotation and prevent backlash in the swing gears.

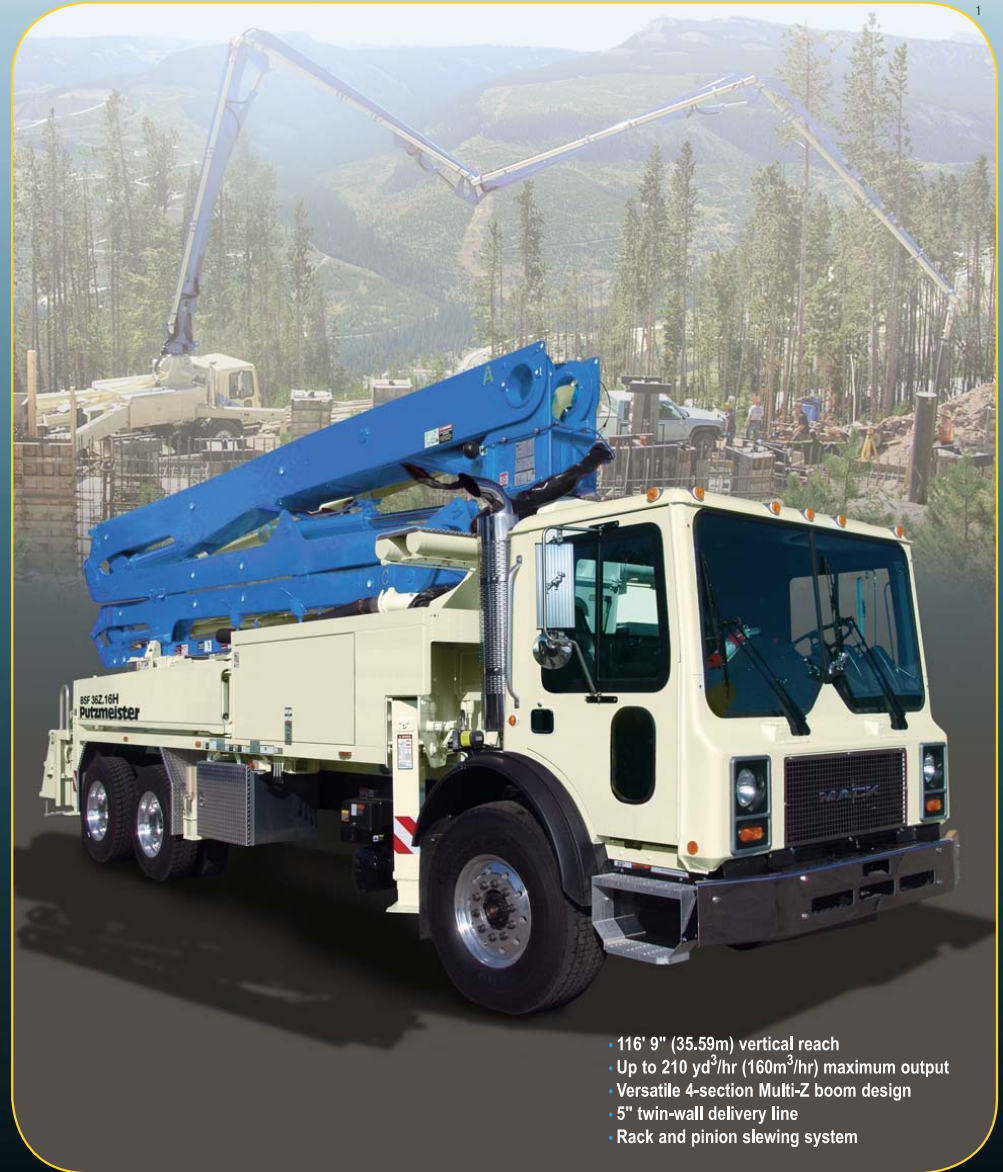


## Fuel Economy

Switch gears and save with Putzmeister's patented Econo-Gear.™ The exclusive design allows the Mack chassis engine to run at a lower rpm, achieving less stress on wear parts, lower noise levels and reduced fuel consumption. Even when pumping a full load, Econo-Gear makes a significant impact on job site safety and profitability with an estimated 10-15% savings.

# 36Z-Meter

Truck-Mounted Concrete Boom Pump



- 116' 9" (35.59m) vertical reach
- Up to 210 yd<sup>3</sup>/hr (160m<sup>3</sup>/hr) maximum output
- Versatile 4-section Multi-Z boom design
- 5" twin-wall delivery line
- Rack and pinion slewing system

36Z-Meter

# Putzmeister BOOM PUMP ADVANTAGE



## Booby Traps

Fully remote. Putzmeister's modular hoist-on-truck and hydraulic system combine versatility and servicing convenience. Pump cells can be switched out as jobs require or when maintenance is necessary. The feature also provides easier access to the S-Valve and shift cylinders.



## Frequency and Control

The Frequency Hoping system on the standard 180° proportional remote ensures minimal interference with other frequency transmitters. Radiometric Power Boost further enhances reaction quickly with a 30%-100% increase in speed power. A fully proportional cable remote is also standard. Like other remote control systems, the remote is fully programmable. The remote is also equipped with offering resistance to ensure complete proportional operation with other the radio or cable remote in the event of a problem.



## EZ 907A Hopper

Putzmeister's EZ Clean Out RS 907A hopper is engineered for performance and easy maintenance. Offering 194 cu. ft. (5520 L) capacity, the hopper features hard-removal paddles and vibrator. The unique design of the special guard protects the user from splashing during pumping and does harm and allows to cover the hopper during travel.

## 36Z-Meter Truck-Mounted Concrete Boom Pump Standard Features

### Boom

- 118' 9" (35.59m) vertical reach
- Low unfolding height
- Versatile 4-section Multi-Z boom
- Manual Lubrication
- Integrated work lights

### Delivery Line

- Equipped with 5" (125mm) twin-wal delivery line on all boom sections providing efficient concrete delivery
- Induction-hardened deck pipe with OCT Turret above
- Easy fit-out brackets for simple delivery line replacement
- Standardized elbows and straight pipe sections
- Common component availability and easy replacement

### Chisel Bit

- Fast and easy clean out
- 400 psi (28 bar) hydraulically-driven water pump
- Wash out kit and hose
- Integrated 195 gallon (700L) water tank

### Boom Operation and Control

- Fully proportional 180° radio remote at greater distances
- Fully proportional cable remote with 130' (40m) cable
- Gauge Port Central (GPC)
- Modular Boom Controls (MBC)
- 24V control box

### Concrete Pump

- Choose from high pressure or high volume with the same setup
- Free flow hydraulic system for smooth, controllable pumping
- Multi-piece piston cup design
- Automatic lubrication of the concrete pistons for long service life
- Hard-chromed material cylinders
- Redundant proximity sensor system with function indicators
- Fully adjustable volume control for very slow pumping with full concrete pressure and boom speed
- Modular pump control box

### EZ Clean Out RS 907A Hopper

- Large 194 cu ft (5520 L) capacity
- Hard-faced removable paddles
- Vibrator
- Hinged splash guard covers hopper during transit
- Low hopper height allows easy discharge from a mixer truck
- Automatic lubrication
- Integrated work lights

### S-Valve

- Ideal for high pressure applications and heavy mixes
- Hard-faced S-Valve
- Gradual 3" to 7" (230 to 170mm) reduction
- Thick-walled valve construction
- Lasting wear over years of use



### Podestal

- Rack and pinion steering system for better weight distribution, smoother boom rotation and the potential for greater "re" reach
- Fully integrated pedestal design absorbs all forces
- Access opening simplifies changing of turret pipe
- Easy access large single-union filter with indicator gauge
- Condensation trap in the tank for water collection
- Two spacious decks for convenient pipe and hose storage
- Manual Lubrication
- Side-mounted aluminum toolboxes
- Integrated work lights
- Breakaway rear steps

### Outriggers

- Quick setup on restrictive job sites
- Fully hydraulic outriggers with integral cylinders
- Unique "X" brace outrigger system
- Front outriggers extend diagonally out and down
- Rear outriggers swing out and extend down
- Four outrigger pads in two side compartments
- Bubble level indicators



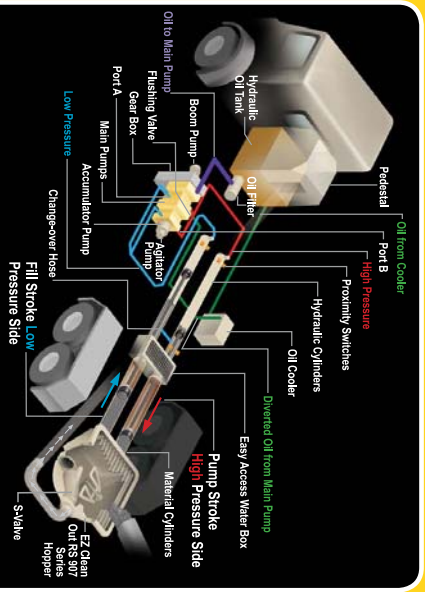
**Putzmeister PRO-VANTAGE**  
WARRANTY PLAN  
The PRO-VANTAGE™ Warranty Plan extends the total of 36 months or 6,000 hours of on-site service.

## One Boom, Multiple Uses

One of our most popular models, the 36Z-Meter offers the best of everything: great reach, powerful pumping performance and a convenient footprint on-site. In addition, this model is available as a detach boom to enhance your options – pump from the truck

or fly the boom to a placing tower. Putzmeister's detach units feature the quickest and easiest truck-to-tower conversion for greater efficiency. The Series II Detach Boom Kit can be installed with your initial boom pump order or added at a later date.

# Putzmeister FREE FLOW HYDRAULICS



## Putzmeister Free Flow Hydraulics in a Closed Loop System

The pumps at the heart of Putzmeister's free flow pumping system are bi-directional, variable displacement piston pumps. Depending on stroke, oil flows in a closed loop from either port A or port B on the pump to the hydraulic cylinders.

Depending on specific pump cell size, up to 20% of the oil leaves the simple closed loop system during each stroke through a flushing valve on the main pump and cycles to a cooler before it returns to the hydraulic oil tank. Removing and cooling only this minimal amount of oil is possible because, unlike an open loop system, the oil flows freely without passing through any unnecessary valves that can generate heat.

The closed loop also requires far less oil to run the system, as a larger reservoir is not necessary to cool all of the oil.

Speed and timing are also critical to superior performance. Quicker and more responsive than a hydraulic signal, the electrical system on a Putzmeister pump minimizes the time it takes to change direction at stroke end.

An electrical signal precisely synchronizes the drive cylinders with the accumulator system that controls the S-Valve in the hopper. Reserved energy in a nitrogen bladder sends a supercharged blast of oil at precisely the right moment to facilitate a smooth and fast shift of the S-Valve from one position to another.

## Key Advantages of Putzmeister's Free Flow Hydraulics:

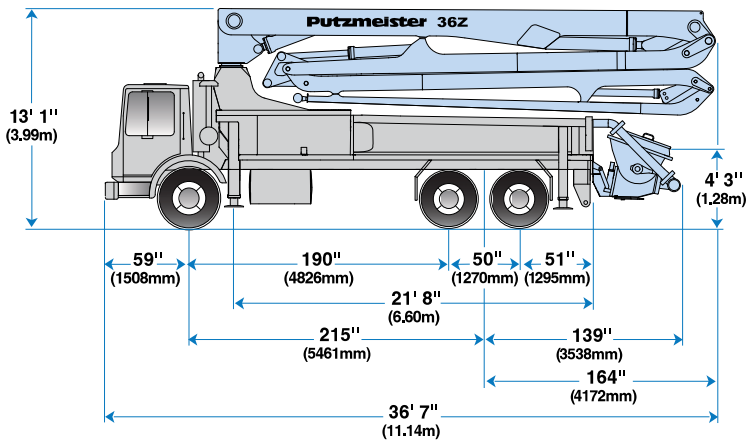
Constant pressure on material in the delivery line ensures pumping is smooth and the flow of concrete is consistent.

The intelligent design eliminates wear-inducing pressure peaks, increases service life and makes our pumps extremely powerful.

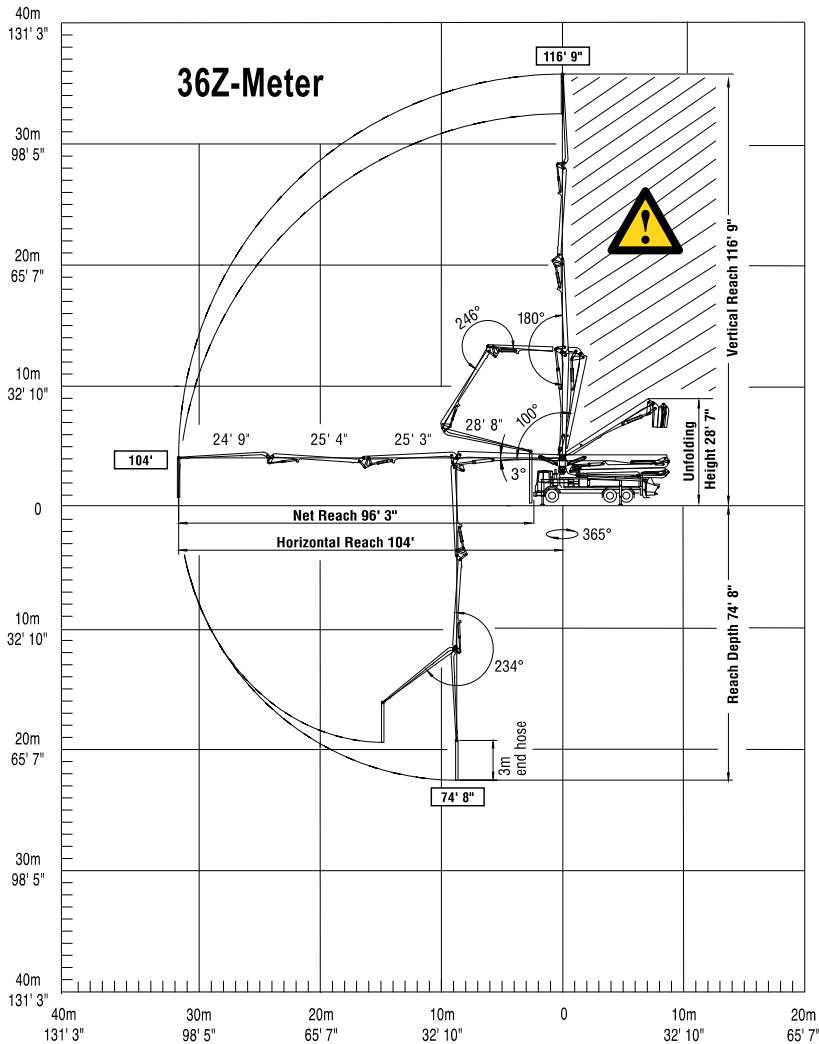
There is greater pump output due to the efficient use of all available energy.

Rapid changeover of the stroke means higher outputs, a smoother flow of concrete and less boom bounce.



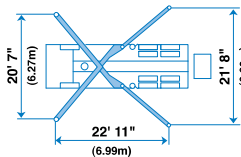


**Range Diagram**



End hose not to be operated in caution area.

Photos and drawings are for illustrative purposes only. For available options, please refer to price list.



Authorized Distributor



Putzmeister America, Inc.  
1733 90th Street  
Sturtevant, WI 53177 USA  
Telephone (262) 886-3200  
(800) 884-7210  
Facsimile (262) 884-6338  
www.putzmeister.com



**36Z-Meter Truck-Mounted Specifications**

Based on Model MACK MRU 688S with .16H pump cell

Length	36' 7"	(11.14m)
Width	8' 2"	(2.50m)
Height	13' 1"	(3.99m)
Wheelbase	215"	(5,461mm)
Front axle weight	18,951 lbs	(8,596kg)
Rear axle weight	36,264 lbs	(16,499kg)
Approx. total weight	55,215 lbs	(25,045kg)

Weights are approximate and include pump, boom, truck, full hydraulic oil, driver and some fuel. Varies with options selected.

Dimensions will vary with different truck makes, models and specifications.

**Boom Specifications • Multi-Z Design**

<b>Height &amp; Reach</b>		
Vertical reach	116' 9"	(35.59m)
Horizontal reach	104'	(31.70m)
Reach from front of truck*	96' 3"	(29.34m)
Reach depth	74' 8"	(22.76m)
Unfolding height	28' 7"	(8.71m)

<b>4-Section Boom</b>		
1st section articulation	103°	
2nd section articulation	180°	
3rd section articulation	246°	
4th section articulation	234°	
1st section length	28' 8"	(8.74m)
2nd section length	25' 3"	(7.70m)
3rd section length	25' 4"	(7.72m)
4th section length	24' 9"	(7.54m)

<b>General Specs</b>		
Pipeline size (ID) metric ends	5"	(125mm)
Rotation	365°	
End hose — length	10'	(3m)
End hose — diameter	5"	(125mm)
Outrigger spread L - R — front	20' 7"	(6.27m)
hydraulically extend out & down		
Outrigger spread L - R — rear	21' 8"	(6.60m)
hydraulically swing out & extend down		

**Pump Specifications 36Z.12L 36Z.16H**

Output — rod side	142 yd <sup>3</sup> /hr (109m <sup>3</sup> /hr)	210 yd <sup>3</sup> /hr (160m <sup>3</sup> /hr)
piston side	85 yd <sup>3</sup> /hr (65m <sup>3</sup> /hr)	146 yd <sup>3</sup> /hr (112m <sup>3</sup> /hr)
Pressure — rod side	1015 psi (70 bar)	1233 psi (85 bar)
piston side	1624 psi (112 bar)•	1885 psi (130 bar)•
Material cylinder diameter	9" (230mm)	9" (230mm)
Stroke length	83" (2100mm)	83" (2100mm)
Max strokes per minute — rod side	21	31
piston side	13	21
Volume control	0-Full	0-Full
Vibrator	Standard	Standard
Hard-chromed material cylinders	Standard	Standard
Hydraulic system	Free Flow	Free Flow
Hydraulic system pressure	5075 psi (350 bar)	5075 psi (350 bar)
Differential cylinder diameter	5.1" (130mm)	5.5" (140mm)
Rod diameter	3.1" (80mm)	3.1" (80mm)
Maximum size aggregate	2.5" (63mm)	2.5" (63mm)
Water tank	185 gal (700L)	185 gal (700L)

Maximum theoretical values listed.

\* Applies to units mounted on PMA stock truck — MACK MRU 688S

• Standard delivery line system rated at max line pressure of 1233 psi (85 bar)