

Putzmeister TELEBELT ADVANTAGE



Placement Versatility

A Telebelt offers a quick way to easily maneuver around obstacles and place material exactly where you want it without the extra cost of all-wheel drive mixer trucks, skid-steer loaders or other equipment.



A Cleaner, More Efficient Site

Telebelts do not require priming, and all material can be run off the belts eliminating waste. A highly efficient spring-tensioned carbide scraper system helps to keep job sites clean.



Hopper Options Add Convenience

An integral part of the feed conveyor, the folding hopper makes setup a breeze. Side panels fold into the feed conveyor and end panels connect with lynchpins. The belt can then be easily fed with ready mix trucks from three sides. Additional hopper options are also available.

Telebelt® TB 110

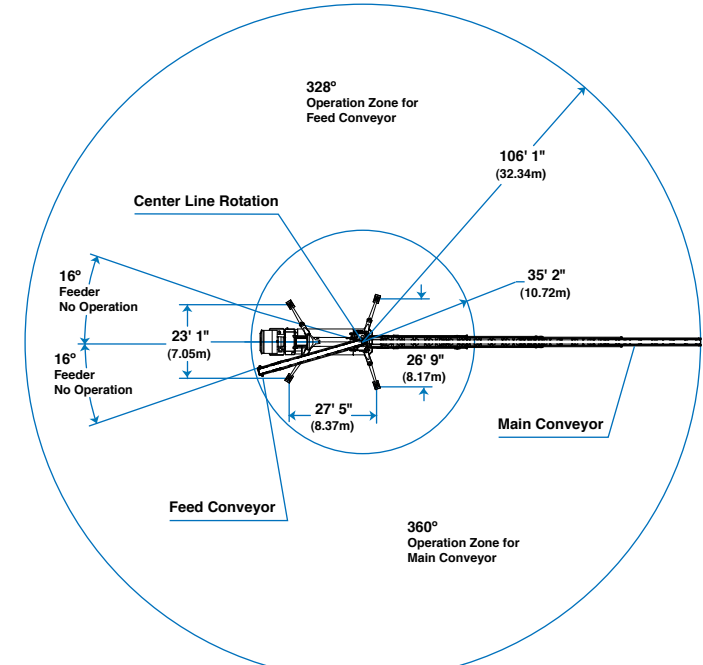
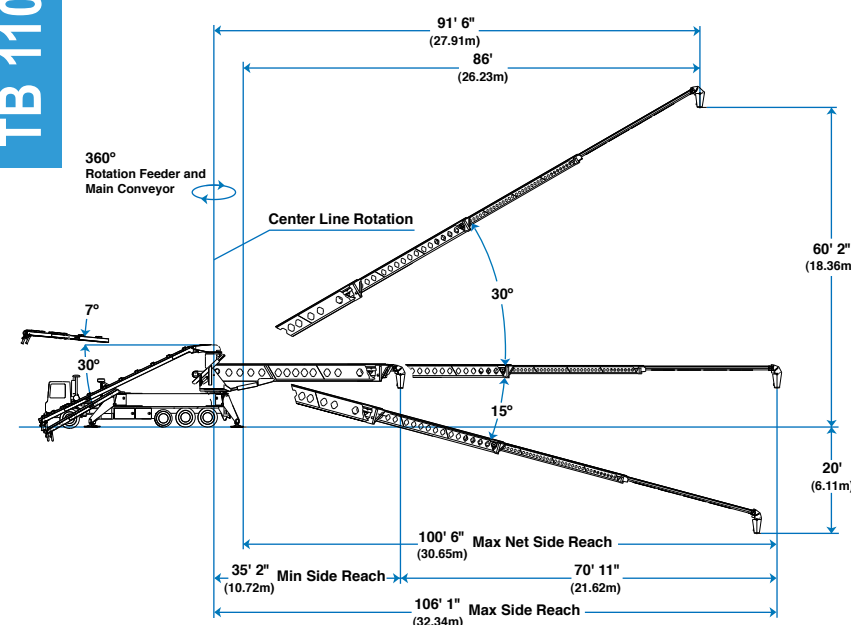
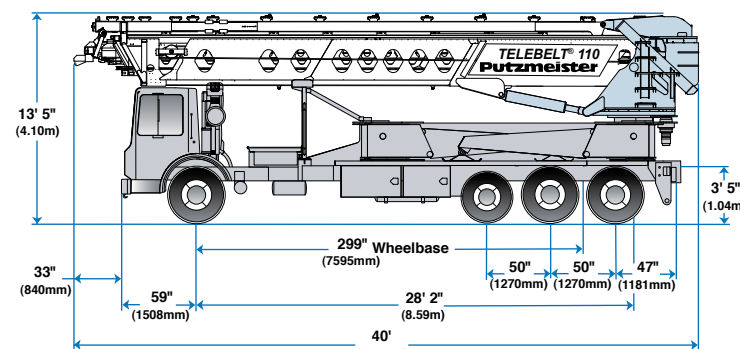
Telescopic Belt Conveyor

Putzmeister



- Mass concrete placement
- Places materials from sand to 4" (100mm) rock
- Smooth surge-free conveying results
- Sets up under low 15' 9" (4.80m) heights
- 106' 1" (32.34m) horizontal reach

TB 110



Photos and drawings are for illustrative purposes only.

Conveyors

Conveyor horizontal reach —		
Maximum at 0°	106' 1"	(32.34m)
Maximum at 30°	91' 6"	(27.91m)
Conveyor belt width	18"	(457mm)
Feed conveyor length	38'	(11.60m)
Feed conveyor belt width	18"	(457mm)
Trunk/end hose length	15'	(4.57m)
Discharge height from grade —		
Maximum at 30°	60' 2"	(18.36m)
Maximum at -15°	-20'	(-6.11m)
Calculated rated capacity at 0°	6 yd ³ /min	(4.60m ³ /min)
main & feed conveyors	360 yd ³ /hr	(275m ³ /hr)
Calculated rated capacity up to 20°	3.80 yd ³ /min	(2.90m ³ /min)
main & feed conveyors	230 yd ³ /hr	(175m ³ /hr)
Observed capacity	4.58 yd ³ /min	(3.50m ³ /min)
main & feed conveyors	275 yd ³ /hr	(210m ³ /hr)

Outriggers

Net reach beyond outriggers —		
at 0°	100' 6"	(30.65m)
at 30°	86'	(26.23m)
Outrigger spread L - R — front	23' 1"	(7.05m)
swing out hydraulic up/down		
Outrigger spread L - R — rear	26' 9"	(8.17m)
swing out hydraulic up/down		

General Specifications

Water tank capacity	200 gal	(757L)
Hydraulic oil tank capacity with cooler	150 gal	(568L)

Truck Specifications**

Weight	20,525 lbs	(9,310kg)
Engine horsepower	405 hp	(302kW)
Wheelbase	299"	(7,595mm)
Cab height	104"	(2,642mm)
Steering radius (outside)	45' 6"	(13.87m)
Steering angle	30°	
Fuel tank capacity	80 gal	(303L)
Transmission	Mack T310 10-Speed	

Transport Axle Weights**

Steering	19,365 lbs	(8,784kg)
Pusher	11,000 lbs	(4,989kg)
Tandem	31,438 lbs	(14,260kg)
Total	61,803 lbs	(28,034kg)

Maximum theoretical values listed.
 * Truck dimensions will vary with different truck makes, models and specifications.
 • Weights are approximate and include driver, conveyor truck, full hydraulic oil, full fuel and full water.
 * All specifications apply to units mounted on Mack MRU 613.

Putzmeister

Putzmeister America, Inc. Telephone (262) 886-3200
 1733 90th Street (800) 884-7210
 Sturtevant, WI 53177 USA Facsimile (262) 884-6338
 Telebelt@putzam.com
 www.putzmeister.com



Authorized Distributor



Mixed Sources
 Product group from well-managed
 forests, controlled sources and
 recycled wood or fiber
 www.fsc.org Cert no. BR-COC-080715
 © 1996 Forest Stewardship Council

Putzmeister TELEBELT ADVANTAGE



Low Clearance Projects

With extremely low unfolding heights and the ability to be moved rapidly, Telebelts can be set up and operated on jobs with height restrictions such as warehouse slabs. Material can be conveyed long distances in an enclosed structure, under bridges and into limited access structures.



Handles Various Materials

In addition to easily handling aggregates from sand to 4" (100mm) rock with ease, a Telebelt conveys a multitude of concrete mix designs at high volumes. Corps of Engineers, Federal and State DOT testing proves that Telebelts do not segregate concrete or cause air entrainment or slump loss.



Quick Setup & Teardown

Telebelts can perform multiple tasks from a single location. Quick setup and teardown, as well as the ability to place material at high volumes, enable you to complete more jobs in less time and with less manpower. Tedious tasks once requiring multiple trips with other equipment are eliminated.

Telebelt® TB 110

Telescopic Belt Conveyor Standard Features



Boom

- 106' 1" (32.34m) horizontal reach
- Low 15' 9" (4.80m) unfolding height
- Four-section telescopic boom
- Steel/aluminum base with three telescopic high strength aluminum sections
- Single control lever to extend/retract all boom sections
- Maintenance-free sealed roller bearings
- Quick telescoping action
- 360° hydraulic rotation

Main Conveyor

- 18" (457mm) 3-ply nylon cord vulcanized spliced belt
- Maximum rated capacity of 6 cubic yards per minute (4.60m³/min)
- Infinitely variable belt speed control from 0 to 100%
- Spring-tensioned carbide scraper system
- Active independent control of the feed and main conveyor systems

Boom Control & Operation

- Main conveyor functions controlled by Modular Boom Control (MBC) system
- Single-section maintenance without removing entire valve assembly
- Ergonomic and lightweight standard proportional radio remote control
- Independent belt speed control for main and feed conveyors
- 100' (30m) proportional cable remote included
- Manual control backup for all functions

Feeder Belt

- 38' (11.60m) aluminum independent hydraulic feed conveyor
- 360° hydraulic rotation allowing material to be loaded from any position desired
- 18" (457mm) belt can be fed by a ready mix truck, dump truck, skid-steer loader or front-end loader
- UHMW polyethylene integrated folding feeder hopper handles the toughest mixes
- Spring-tensioned carbide scraper system

Trunk/End Hose

- Standard 8" (200mm) and 12" (305mm) tremie reducers – each with 15' (4.57m) end hoses and chain binder

Material Handling

- Handles the harshest concrete mix designs at any slump
- No special mix requirements
- Places any type of flowable material

Power

- Driven by two full horsepower rated air shift rear PTOs from the Mack MRU 613 405 hp (302kW) engine
- Low engine RPM and 150 hp (112kW) for reduced fuel costs

Outriggers

- Quick and easy setup in congested areas
- Compact footprint
- Sets up on solid or rough terrain
- Unique butterfly design outriggers manually swing out and hydraulically extend up or down

Clean Out

- Requires only water to clean
- High pressure 2,500 psi (173 bar) hydraulically-driven pressure washer system
- Large capacity 200 gal (757L) water tank

Additional Standard Features

- Aluminum diamond plate deck
- Large side-mounted aluminum toolbox
- High quality paint finish
- Operators manuals and ship-away kit
- Air-activated pusher axle ensures compliance with federal bridge formula weight requirements

Available Options

- Rock hopper and soil grate accessory
- Front-end loader hopper
- Low profile hopper
- Side loading channels
- Custom paint schemes

Consult factory for options not listed



The PRO-VANTAGE® Warranty Plan extends the coverage on all Putzmeister Telebelts® for a total of 36 months or 6,600 hours at no extra charge.



Ideal for countless applications worldwide, including:

- Mat Pours
- Backfill
- Bridge Decks
- Slope Paving
- Caissons
- Slabs
- Landscaping
- Dams
- Environmental Projects
- Tilt-Up Panels
- Wind Farms
- Foundations/Footings

Putzmeister TELEBELT VERSATILITY



Telebelts Extend Your Material Placement Needs Worldwide

As the world's only manufacturer of truck-mounted telescopic belt conveyors, Putzmeister's Telebelts set the standard in versatility and convenience. From commercial and residential projects, to wind farms, dams, caissons and landfill lining, a Telebelt's placement possibilities are endless. Telebelts allow you to diversify your business and increase job opportunities.

In addition to the United States, Telebelts have been utilized on projects around the world, including: Australia, Brazil, Canada, Chile, China, England, Ethiopia, Germany, India, Italy, Japan, Korea, Laos, Mexico, Myanmar, New Zealand, Oman, Philippines, Portugal, Russia, Saudi Arabia, Spain, Switzerland, Turkey and Ukraine.

Telebelt outriggers are designed with quick setup in mind. A variety of outrigger styles offer a compact footprint, as well as quick and simple setup in congested areas and on solid or rough terrain.

Concrete is just one of many materials that can be efficiently and economically placed with a Telebelt. These machines keep ready mix trucks safely at the curb and help complete pours faster. Conveying also allows for reduced cement and water content, which yields a stronger, more cost-effective mix.

In addition, Telebelts are ideal for handling special materials required for unique applications that are unsuitable for other equipment.

Conveying Versatility – Multiple Materials in Unlimited Applications

